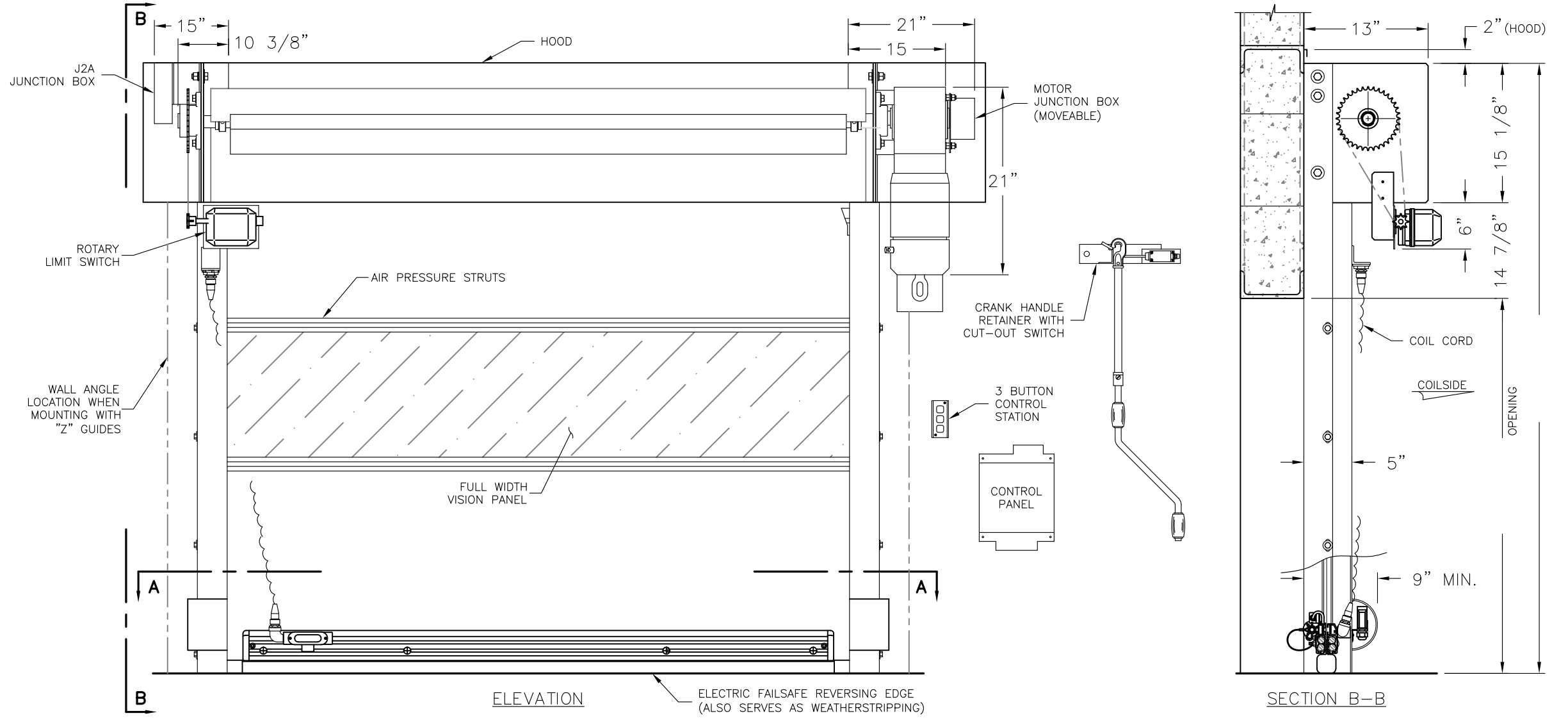
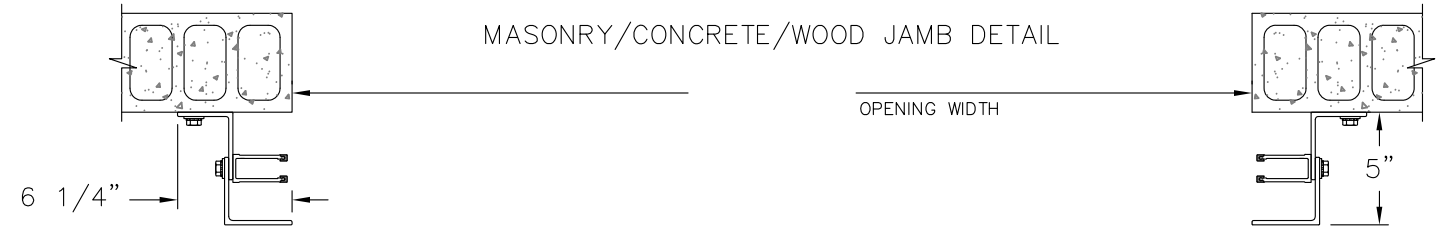


SPECIFICATIONS	
DOOR MARK	
QUANTITY	
WIDTH	
HEIGHT	
MATERIAL	
CURTAIN	<input type="checkbox"/> 2.0mm PVC (STANDARD) <input type="checkbox"/> 2.0mm URETHANE <input type="checkbox"/> NYLON INSECT SCREEN
HOOD	24 GA. GALVANIZED STEEL
GUIDES	EXTR. ALUMINUM W/STEEL WALL ANGLE
BOTTOM BAR	EXTR. ALUMINUM
FINISH	
FERROUS SURFACES	SHOP PRIMED (BLACK)
CURTAIN (PVC ONLY)	<input type="checkbox"/> RED <input type="checkbox"/> BROWN <input type="checkbox"/> ORANGE <input type="checkbox"/> BLUE <input type="checkbox"/> GRAY
GUIDES	CLEAR ANODIZED
BOTTOM BAR	BLACK ANODIZED
MOTOR UNIT	
(SPECIFY VOLTAGE)	
MOTOR:	<input type="checkbox"/> 1/2 HP
VOLTAGE:	<input type="checkbox"/> 208 <input type="checkbox"/> 230 <input type="checkbox"/> 460
PHASE:	<input type="checkbox"/> 3 HERTZ: <input type="checkbox"/> 60
DOOR SPEED	
SPEED:	<input type="checkbox"/> 25 <input type="checkbox"/> 30 <input type="checkbox"/> 42 INCHES PER SECOND MAX
OPTIONAL ACTUATORS	
<input type="checkbox"/> 3 BUTTON PUSH BUTTON	<input type="checkbox"/> PULL CORDS
<input type="checkbox"/> NEMA 4	<input type="checkbox"/> RADIO OPTIONS
<input type="checkbox"/> MOTION DETECTOR	<input type="checkbox"/> REMOTE QTY: _____
<input type="checkbox"/> EAGLE	<input type="checkbox"/> LOOP DETECTOR
<input type="checkbox"/> FALCON	<input type="checkbox"/> LOOP WIRE REQUIRED
<input type="checkbox"/> SECONDARY PHOTO BEAMS	

NOTES:



STEEL JAMB DETAIL



MASONRY/CONCRETE/WOOD JAMB DETAIL

SECTION A-A  
"E" GUIDES (MUST BE WELDED)

SECTION A-A  
"Z" GUIDES

DISTRIBUTOR: OVERHEAD DOOR CO. OF _____ P.O.# _____		SHEET NO. 1 OF 1		JOB NO. _____	
DATE _____	REVISION _____	DR. BY T.H.	DATE: _____	SCALE: N.T.S.	



JOB NAME  
CONTRACTORS NAME  
ARCHITECTS NAME

DRAWING NO. D09-	SERIES 687 BW/JETROLL™
OVERHEAD DOOR CO. OF PENNA., INC. LEWISTOWN, PA.	