

The Genuine. The Original.



## HOMEOWNER'S GARAGE DOOR MANUAL

Model: 870 Series

Read this manual carefully and observe all warnings when operating or maintaining your garage door.

1-800-929-DOOR

www.OverheadDoor.com

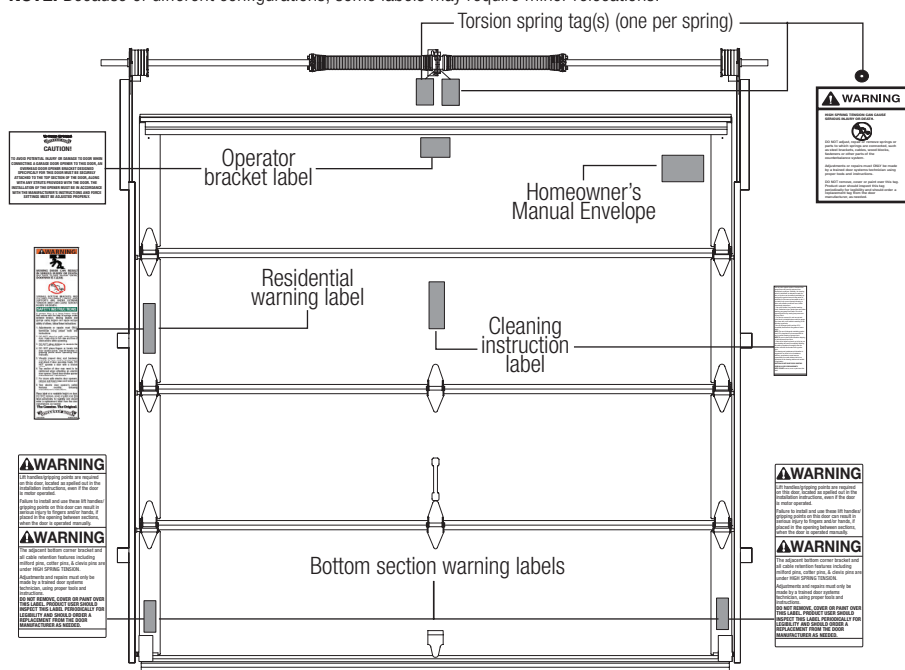
Keep this manual for future reference.

### Label Placement

**IMPORTANT:** IF THE LABELS ARE NOT APPLIED AT THE FACTORY, THEN ENSURE YOU PLACE ALL LABELS IN POSITION, AS SHOWN.

**NOTE:** The Spring Warning tag(s) are factory attached (one per spring).

**NOTE:** Because of different configurations, some labels may require minor relocations.



### Counterbalance Assemblies

#### WARNING

**HOMEOWNER! TORSION SPRINGS SHOULD ONLY BE REMOVED, INSTALLED, REPAIRED OR ADJUSTED BY A TRAINED DOOR SYSTEM TECHNICIAN. ATTEMPTING TO REMOVE, INSTALL, REPAIR OR ADJUST A TORSION SPRING ASSEMBLY WITHOUT PROPER TRAINING AND TOOLS MAY RESULT IN AN UNCONTROLLED RELEASE OF SPRING FORCES WHICH COULD CAUSE SERIOUS OR FATAL INJURY.**

#### WARNING

**BOTTOM FIXTURES, CABLES, DRUMS, PULLEYS, SHAFTS, AND BRACKETS ARE UNDER HIGH SPRING TENSION. DO NOT ATTEMPT REPAIRS ON ANY OF THESE ITEMS. CALL A TRAINED DOOR SYSTEM TECHNICIAN.**

### Cleaning Your Garage Door

Like any other exterior surface, overhead garage doors will have dirt exposure from atmospheric conditions. Ordinarily, the cleaning action of rainfall will be adequate to wash the door, or the door can be washed periodically by hosing with a garden hose and clear water (in particular) for the areas not accessible to rain. If you desire to do a more thorough cleaning, or where soil collection conditions occur, follow these simple instructions.

1. Use a soft-bristled, long-handled washing brush. It attaches to your garden hose and makes washing your garage door easier. Do not rub vigorously which may create glossy areas over the vinyl finish.

2. For hard-to-remove dirt, such as soot and grime found in industrial areas, wash the garage door down with a mild solution consisting of the following ingredients:

One cup detergent (with less than 0.5% phosphate) dissolved into five gallons of warm water.

**NOTE:** The use of detergents containing greater than 0.5% phosphate is not recommended for use in general cleaning of garage doors.

**NOTE:** Be sure to clean behind weather stripping on both sides and top of door.

3. Start at the bottom and work up to the top, as less streaking will result. Immediately following all washing operations, thoroughly rinse the surface area with fresh water from a garden hose.

This cleaning and maintenance information is suggested in an effort to be of assistance; however, manufacturer cannot assume responsibility for results obtained which are dependent on the cleaning solution and method of application.

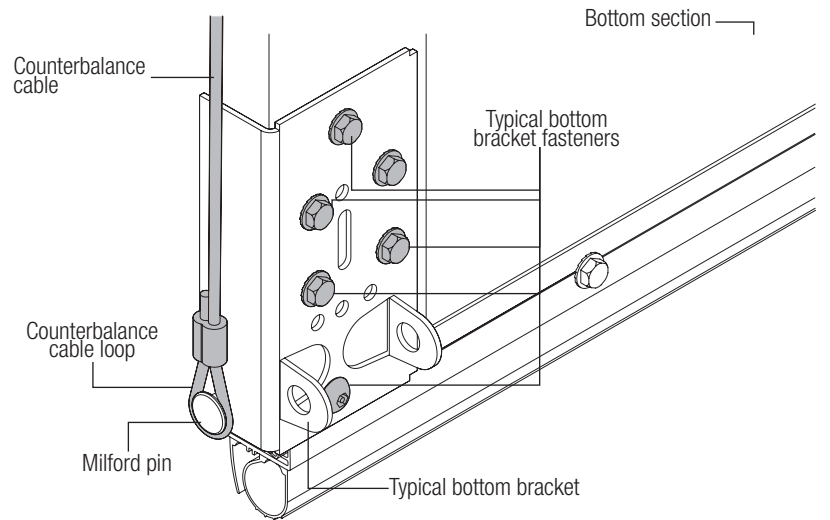
**CAUTION: DO NOT PAINT DOOR. PAINTING DOOR WILL VOID YOUR WARRANTY.**

#### WARNING

**HOMEOWNER! TORSION SPRINGS SHOULD ONLY BE REMOVED, INSTALLED, REPAIRED OR ADJUSTED BY A TRAINED DOOR SYSTEM TECHNICIAN. ATTEMPTING TO REMOVE, INSTALL, REPAIR OR ADJUST A TORSION SPRING ASSEMBLY WITHOUT PROPER TRAINING AND TOOLS MAY RESULT IN AN UNCONTROLLED RELEASE OF SPRING FORCES WHICH COULD CAUSE SERIOUS OR FATAL INJURY.**

#### WARNING

**BOTTOM FIXTURES, CABLES, DRUMS, PULLEYS, SHAFTS, AND BRACKETS ARE UNDER HIGH SPRING TENSION. DO NOT ATTEMPT REPAIRS ON ANY OF THESE ITEMS. CALL A TRAINED DOOR SYSTEM TECHNICIAN.**



### Broken or Slipped Cable

If a cable breaks, or cable slips off a torsion spring drum, the door may cock or wedge into the tracks. DO NOT continue to use the door. DO NOT attempt repairs. Call a trained door system technician to repair the door.

### Broken Spring

If a spring breaks, the door will not be counterbalanced and may fail if opened. DO NOT continue to use the door. DO NOT attempt repairs. Call a trained door system technician to repair the door.

### Safety Information

**OVERVIEW OF POTENTIAL HAZARDS READ THIS SAFETY INFORMATION CONVENTIONS USED IN THESE INSTRUCTIONS:**

Garage doors are large, heavy objects that move with the help of springs under high tension and electric motors. Since moving objects, springs under tension, and electric motors can cause injuries, your safety and the safety of others depend on you reading the information in this manual. If you have questions or do not understand the information presented, call your nearest trained door system technician or visit our website.

The following Safety Alert symbol and signal words are used throughout this manual to call attention to and identify different levels of hazard and special instructions.

#### WARNING

**THIS IS THE SAFETY ALERT SYMBOL. THIS SYMBOL ALERTS YOU TO POTENTIAL HAZARDS THAT CAN KILL OR HURT YOU AND OTHERS. ALL SAFETY MESSAGES WILL FOLLOW THE SAFETY ALERT SYMBOL AND THE WORD "DANGER", "WARNING", OR "CAUTION".**

**DANGER:** INDICATES AN IMMINENTLY HAZARDOUS SITUATION WHICH, IF NOT AVOIDED, WILL RESULT IN DEATH OR SERIOUS INJURY.

#### WARNING

**WARNING:** INDICATES A POTENTIALLY HAZARDOUS SITUATION WHICH, IF NOT AVOIDED, COULD RESULT IN DEATH OR SERIOUS INJURY.

**CAUTION:** INDICATES A POTENTIALLY HAZARDOUS SITUATION WHICH, IF NOT AVOIDED, MAY RESULT IN INJURY OR PROPERTY DAMAGE.

**NOTE:** Indicates important steps to be followed or important considerations.

**IMPORTANT SAFETY INSTRUCTIONS READ AND FOLLOW ALL INSTRUCTIONS SAVE THESE INSTRUCTIONS.**

Potential Hazard	Effect	Prevention
 Moving door	<b>WARNING</b> Could result in Death or Serious Injury	Keep people clear of opening while Door is moving. Do NOT allow children to play with the Door Opener. Do NOT operate a Door that jams or one that has a broken spring.
 High spring tension	<b>WARNING</b> Could result in Death or Serious Injury	Do NOT try to remove, install, repair or adjust springs or anything to which door spring parts are fastened, such as, wood blocks, steel brackets, cables or other like items. Installations, repairs and adjustments must be done by a trained door system technician using proper tools and instructions.

**READ THIS SAFETY INFORMATION:**

#### WARNING

**IF YOUR OLD DOOR OR NEW DOOR USES TORSION SPRINGS, DO NOT ATTEMPT TO REMOVE, INSTALL, REPAIR OR ADJUST THE SPRINGS YOURSELF. HAVE A TRAINED DOOR SYSTEM TECHNICIAN REMOVE, INSTALL, REPAIR OR ADJUST THEM. ATTEMPTING TO REMOVE, INSTALL, REPAIR OR ADJUST A TORSION SPRING ASSEMBLY WITHOUT PROPER TRAINING OR TOOLS MAY RESULT IN AN UNCONTROLLED RELEASE OF SPRING FORCES WHICH CAN CAUSE SERIOUS INJURY.**

#### WARNING

**BE SURE THAT YOUR GARAGE COMPLIES WITH ALL APPLICABLE STATE AND OR LOCAL VENTILATION REQUIREMENTS BEFORE YOU ENCLOSE ANY VEHICLES IN THE GARAGE. GOOD VENTILATION AVOIDS FIRE AND HEALTH HAZARDS CAUSED BY FUMES ACCUMULATING WITHIN A WELL SEALED GARAGE.**

- Do NOT permit children to play beneath or with any garage door or electric operating controls.
- Keep hands and fingers clear of section joints, track, and other door parts when the door is opening and closing to avoid injury. The lift handles are located for safe operation as well as easy use.
- Bolts must be installed at the rear end of horizontal tracks. These act to stop the rollers and keep the door from rolling off the back of the track.
- Track installations must use sway braces on the rear track hangers to prevent sideways movement. If the tracks are NOT firmly stabilized they might spread, allowing the door to fall and cause severe injury and damage.
- Springs, cables, and Bottom Corner Brackets are under strong spring tension. Do NOT attempt to remove, repair or adjust any fasteners on these components or anything to which these parts are attached, such as wood blocks, steel brackets, or other like items. You could suddenly release spring forces and risk severe injury.
- If the garage door and/or any of the supporting tracks are damaged, operating the door could be hazardous. Take the door out of service and call a trained door system technician to promptly service or repair the door.
- KEEP DOORS PROPERLY BALANCED.** An improperly balanced door increases the risk of severe injury or death. Have a trained door system technician make repairs to cables, spring assemblies and other hardware as necessary.
- Doors equipped with automatic door operators can cause serious injury or death if NOT properly adjusted and operated. To ensure safety of these doors:

- a) Never let children operate or play with the door controls. Keep the remote control away from children,
- b) Always keep the moving door in sight and people and objects away from the door until the door is completely closed. NO ONE SHOULD CROSS THE PATH OF THE MOVING DOOR,
- c) NEVER GO UNDER A STOPPED, PARTIALLY OPEN DOOR,
- d) Test operator monthly. The door MUST reverse on contact with a 1-1/2" high object (or a 2" x 4" board laid flat) at the center of the doorway on the floor. If the door does NOT reverse, re-test the door operator after adjusting either the force or the limit of travel in accordance with the manufacturer's instructions. Failure to adjust the operator properly may result in severe injury or death,
- e) When possible, use the emergency release only when the door is closed. Use caution when using this release with the door open. Weak or broken springs are capable of increasing the rate and force of door closure and increasing the risk of severe injury or death, and
- f) If your door has a pull down rope or locking mechanism, you must remove the rope and either disable or remove any door locks.

## Recommendations

The manufacturer has designed and sized the components specifically for each type of door. The door will operate safely and efficiently over an extended period of time if it is **PROPERLY INSTALLED, OPERATED, and MAINTAINED**. The manufacturer recommends that the garage door be inspected and lubricated regularly as described in this manual.

## Manual Operation

If provided, always use lift handles/ suitable gripping points when operating the door manually. Do not place fingers or hands between sections. Use step plates, if provided, for manual operation.

## Maintenance

All mechanical devices require periodic service and/or maintenance, and garage doors are no exception. The amount and frequency of preventive maintenance required depends on the local environment conditions and the frequency of door use. Preventive maintenance should be performed at least every six months, however more maintenance may be required if conditions warrant. Maintenance includes lubrication of moving parts and inspection of certain components for tightness. The following maintenance and inspection recommendations may be established until actual operating conditions dictate otherwise.

## General Information

Operate the door only when it is properly adjusted and free of obstructions. If the door is hard to operate or does not move, call a trained door system technician for repair.

If door is to be electrically operated, remove pull ropes and remove or disable the lock.

Repaint the door when paint is worn or damaged. Do not paint track, rollers, hinges, lift cables, springs, lock, or warning labels.

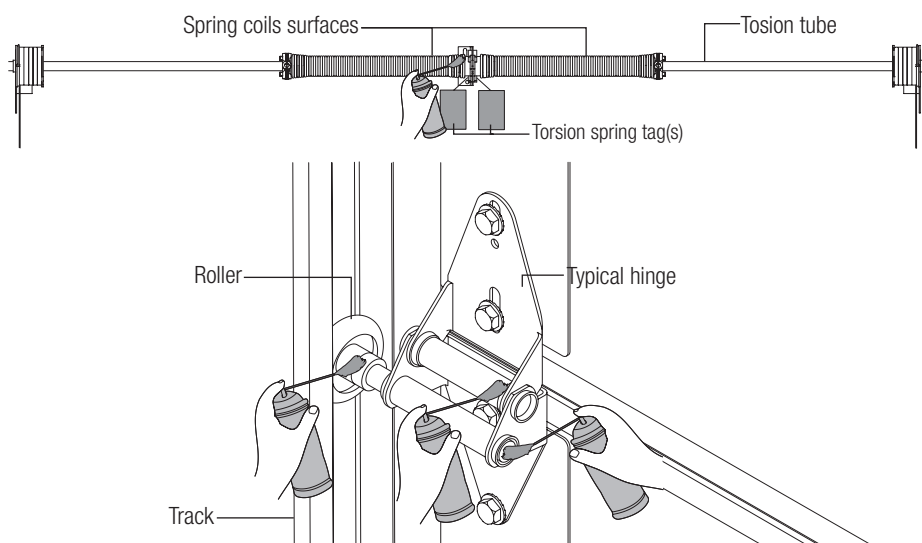
**CAUTION:** KEEP ICE AND SNOW FROM ACCUMULATING AT THE BOTTOM OF THE DOOR DURING WINTER WEATHER CONDITIONS. ICE AND/OR FROZEN SNOW MAY CAUSE THE DOOR AND BOTTOM SEAL TO STICK TO THE FLOOR. OPERATING A STRUCK DOOR MAY CAUSE PERMANENT DAMAGE TO THE DOOR SYSTEM.

## Door Tracks

Keep tracks free of oil or grease so rollers move freely. Grease attracts dirt and dust which build up and keep door from moving smoothly.

**LIGHTLY OIL:** Hinge Points, Steel Roller Stems and inner race assembly (Non-metal rollers do not require lubrication.), Locking Device moving parts, Torsion Spring (Head plate bearing surfaces, torsion tube, and spring coil surfaces).

Lubrication reduces wear and friction. A 30w or other medium weight oil is satisfactory. Wipe off excess oil from door and track surfaces.

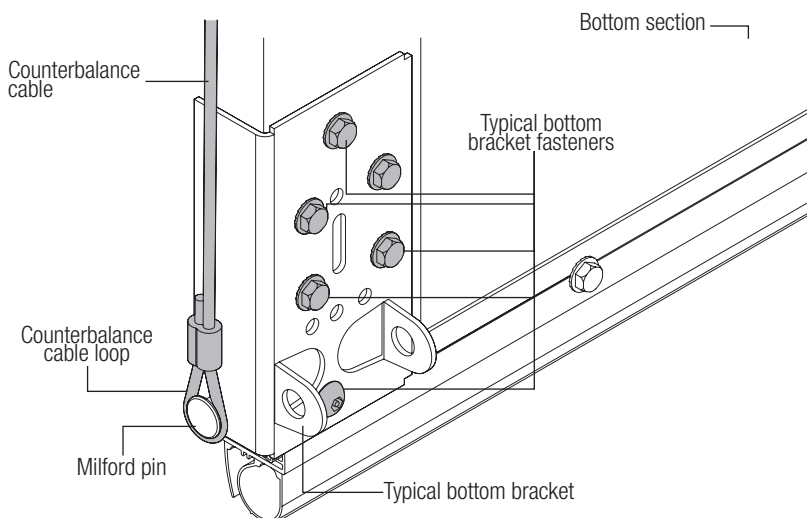


## Hardware Inspection

Close and lock the door. Inspect the handles, step plates, hinges, top fixtures, bottom fixtures, locking devices, and track brackets to make sure that they are securely attached. Tighten fasteners as necessary. **DO NOT** over tighten; excess tightening may strip the threads and make the fastener useless.

## Cable Inspection

Inspect the cables. The cables should be tight and secured to the bottom fixtures. The cables should not rub against the door, track or any other objects. Cables with frayed or broken strands should be replaced by a trained door system technician.



## WARNING

**NEVER LOOSEN FASTENERS ON BOTTOM FIXTURE. USE CAUTION WHEN TIGHTENING FASTENERS BECAUSE BOTTOM FIXTURE IS UNDER HIGH SPRING TENSION.**

## Limited Warranty

### Limited Warranty Model 870 Series

The Distributor of Overhead Door Corporation products whose name appears below ("Seller") warrants to the original purchaser of the Durafirm Collection 870 Series Residential Garage Door ("Product"), subject to all of the terms and conditions hereof, that the Product and all components thereof will be free from defects in materials and workmanship for the following period(s) of time, measured from the date of installation:

- Fifteen (15) Years – Against peeling flaking, chipping or cracking of the vinyl skin.
- Five (5) Years – Against excessive color fading of the vinyl skin, not due to normal weathering, which materially alters the color of the Product and cannot be remedied by cleaning with the recommended solution.
- One (1) Year – All other components of the Product.

Seller's obligation under this warranty is specifically limited to repairing or replacing, at its option, any part which is determined by Seller to be defective during the applicable warranty period. Seller's repair or replacement labor is included for a period of One (1) year from the date of installation. After that, any labor charges are excluded and will be the responsibility of the purchaser.

This warranty gives you specific legal rights, and you may also have other rights which vary from state to state. This warranty is made to the original purchaser of the Product only, and is not transferable or assignable. This warranty applies only to Product installed in a residential or other non-commercial application. It does not cover any Product installed in commercial or industrial building applications. This warranty does not apply to any unauthorized alteration or repair of the Product, or to any Product or component which has been damaged or deteriorated due to misuse, neglect, accident, puncture, incorrect installation of hardware, failure to provide necessary maintenance, normal wear and tear, or acts of God or any other cause beyond the reasonable control of Seller. This warranty specifically excludes any damage resulting from scratching, abrasion or impact by any hard object or exposure to toxic or abrasive environments including toxic chemicals or fumes, and any fading or color change which may not be uniform due to unequal exposure of the curtains to sunlight or other elements. The Product is not recommended for use in hot, dry climates. This warranty specifically excludes coverage for any Product used or installed in Utah, Arizona, Nevada, New Mexico, Colorado and the West and Southwest regions of Texas. Painting of door will void Vinyl skin warranty.

ALL EXPRESS AND IMPLIED WARRANTIES FOR THE PRODUCT, INCLUDING BUT NOT LIMITED TO ANY IMPLIED WARRANTIES OF MERCHANTABILITY AND FITNESS FOR A PARTICULAR PURPOSE, ARE LIMITED IN TIME TO THE APPLICABLE WARRANTY PERIOD REFLECTED ABOVE. NO WARRANTIES, WHETHER EXPRESS OR IMPLIED, WILL APPLY AFTER THE LIMITED WARRANTY PERIOD HAS EXPIRED. Some states do not allow limitations on how long an implied warranty lasts, so the above limitation may not apply to you.

IN NO EVENT SHALL OVERHEAD DOOR CORPORATION BE RESPONSIBLE FOR, OR LIABLE TO ANYONE FOR, SPECIAL, INDIRECT, COLLATERAL, PUNITIVE, INCIDENTAL OR CONSEQUENTIAL DAMAGES, even if Overhead Door Corporation has been advised of the possibility of such damages. Such excluded damages include, but are not limited to, loss of use, cost of any substitute product, or other similar indirect financial loss. Some states do not allow the exclusion or limitation of incidental or consequential damages, so the above limitation or exclusion may not apply to you.

- Claims under this warranty must be made promptly after discovery, within the applicable warranty period, and in writing to the Seller whose name and address appear below. The purchaser must allow Seller a reasonable opportunity to inspect any Product claimed to be defective prior to removal or any alteration of its condition. Proof of the purchase and/or installation date, and identification as the original purchaser, may be required. There are no established informal dispute resolution procedures of the type described in the Magnuson-Moss Warranty Act.