

# *External Receiver Kit*



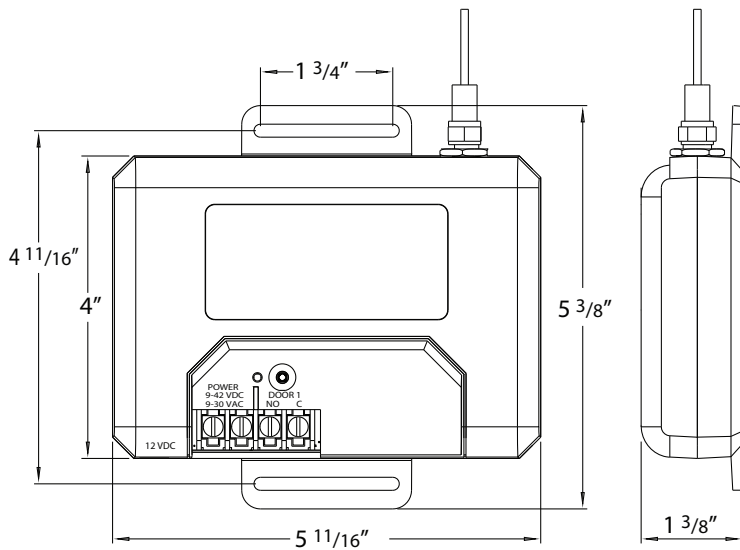
## **UPGRADE YOUR OPENER!**

- Upgrade older openers to CodeDodger® security! The access code will change after each use to prevent unauthorized access
- Dual frequency technology (315/390 MHz) makes this receiver less susceptible to potential sources of nearby interference
- Expand the remote capacity of existing openers to up to 64 individual CodeDodger® transmitters
- Compatible with most major brands of garage door and gate openers!
- For use on one door and opener

**The Genuine. The Original.**



# External Receiver Kit



Model OCR1D PN: 41487R



A/C Adapter PN: 39193A.S  
(Included)

## Specifications

- Receiver size: 5 11/16" W x 5 3/8" H x 1 3/8" D
- Antenna size: 1 1/4" H x 9 1/4" L
- Voltage/Current/Hz:
  - Power pack: 115 VAC, 0.5 A, 50-60 Hz
  - Power pack output: 12 VDC, 1 A
  - Receiver input voltage: 9-42 VDC or 9-30 VAC, 50-60 Hz
  - Receiver current draw: 73 mA @9V, 70 mA @12V, 57 mA @24V, 54 mA @42V
- Temperature range: -30° F to 158° F
- Includes: CodeDodger® receiver, antenna, one 3-button transmitter, one power pack, wire, staples and instructions

SOLD AND DISTRIBUTED BY:



The Genuine. The Original.



2501 S. State Hwy. 121 Bus., Suite 200, Lewisville, TX 75067  
1-800-929-DOOR • sales@overheaddoor.com  
overheaddoor.com