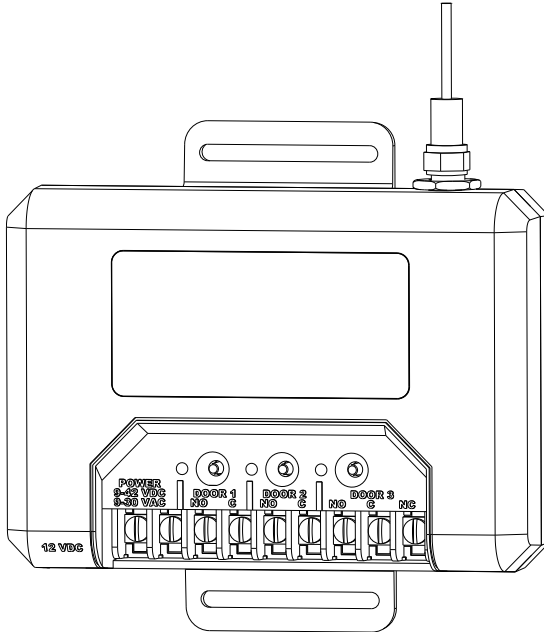




THREE DOOR RECEIVER INSTALLATION AND PROGRAMMING INSTRUCTIONS



INTRODUCTION

The CodeDodger® Three Door External Receiver has been designed to provide versatility with remote control applications for residential and commercial doors and gates. There are two primary modes of operation:

Three Door Mode: Supports up to 255 CodeDodger® remote controls and an unlimited number of fixed code remotes on up to three doors. The default frequency is 315/390MHz for CodeDodger® remotes. When using fixed code remotes, the frequency can be changed to 360/390, 380/390, or 390/412MHz. CodeDodger® and fixed code can be used on a single door output, or on separate door outputs.

Single Door Open/Close/Stop Mode: Supports up to 255 CodeDodger® Open/Close/Stop remotes on a single door using dual 315/390MHz frequencies.

⚠ WARNING



Moving Door/Gate can cause serious injury or death.

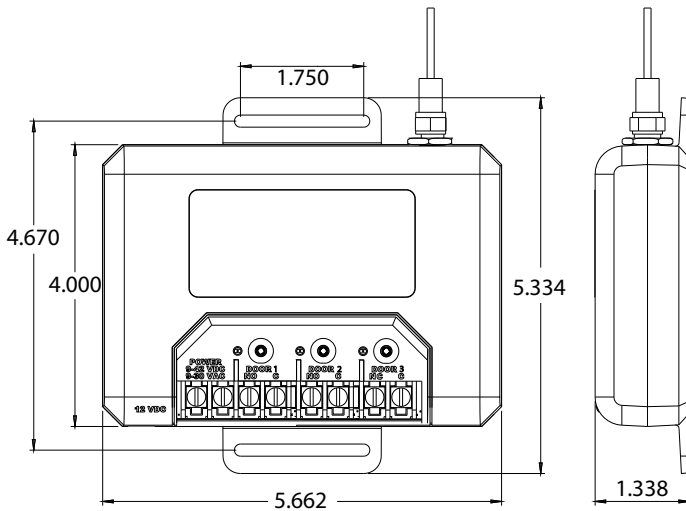
- Wall Console must be mounted in sight of door/gate, at least 5 feet above floor and clear of moving parts.
 - **Keep people clear** of opening while door/gate is moving.
 - **DO NOT** allow children to play with the remote or door/gate opener.
- If **SAFETY REVERSE** does not work properly:
- **Close door/gate then disconnect opener** using the manual release handle.
 - **DO NOT** use remote controls to operate door/gate.
 - Refer to Door/Gate Owners Manuals before attempting any repairs.

⚠ AVERTISSEMENT



UNE PORTE EN MOUVEMENT PEUT CAUSER DE GRAVES BLESSURES, VOIRE LA MORT.

- N'installez **PAS** le transmetteur à moins que l'appareil de sécurité du dispositif de fermeture de porte ne fonctionne conformément au manuel du dispositif de fermeture de porte. La console murale doit être montée à la vue de la porte, à au moins 5 pieds au-dessus du sol et il ne doit y avoir aucune pièce de porte en mouvement à proximité.
 - Éloignez les gens de l'ouverture lorsque la porte est en mouvement.
 - **NE** permettez **PAS** aux enfants de jouer avec le transmetteur ou le dispositif de fermeture de porte.
- Si l'inversion de sécurité ne fonctionne pas correctement :
- Fermez la porte, puis déconnectez le dispositif d'ouverture à l'aide de la poignée de dégagement manuel.
 - N'utilisez **PAS** le transmetteur ni le dispositif de fermeture de porte.
 - Référez-vous aux manuels du propriétaire de la porte et de l'ouvre-porte avant de tenter toute réparation.



SPECIFICATIONS:

CodeDodger® Remote Capacity: 255

Fixed Code Remote Capacity: Unlimited

Voltage/Current/Hz:

- Power Pack: 100-240VAC, 0.5A, 50-60Hz

- Power Pack Output: 12VDC, 1A

- Receiver Input Voltage: 9-42VDC, 200mA, 50-60 Hz or 9-30VAC, 200mA, 50-60 Hz

- Temperature Range: -30⁰F to 158⁰F

IMPORTANT NOTICE: This kit may only be used on an operator manufactured 1993 and later with working safety sensors.

PRE-INSTALLATION: For use on momentary contact capable units only

- If existing receiver will no longer be used, erase remotes. Refer to existing receiver owners manual, if needed.
- Determine power source and wire to receiver using figures 1, 2 or 3. Refer to operator owners manual, if needed.

INSTALLATION:

1. Unplug or turn off breaker that supplies power to operator.
2. Find a suitable mounting point for receiver within a few feet of the operator.
3. Mount receiver to wall or ceiling. Due to variations in mounting methods, hardware is not included.
4. Strip ends of included bell wire and install between receiver and operator connections (Fig. 1-A) or commercial operator connections. If using the recommended power supply, plug connector from power pack into receiver (FIG. 1). To wire for an alternate power supply application, see FIG. 2-3. For commercial operator operation with open/close/stop remotes, see FIG. 4
5. Install coax antenna on to receiver coax connector.
6. If using 115VAC power pack, plug power pack into standard 115VAC outlet.
7. Use included staples to tidy any hanging wires.
8. Restore power to operator.

WIRING

FIG. 1. Garage door or gate operator powered with 115VAC power pack.

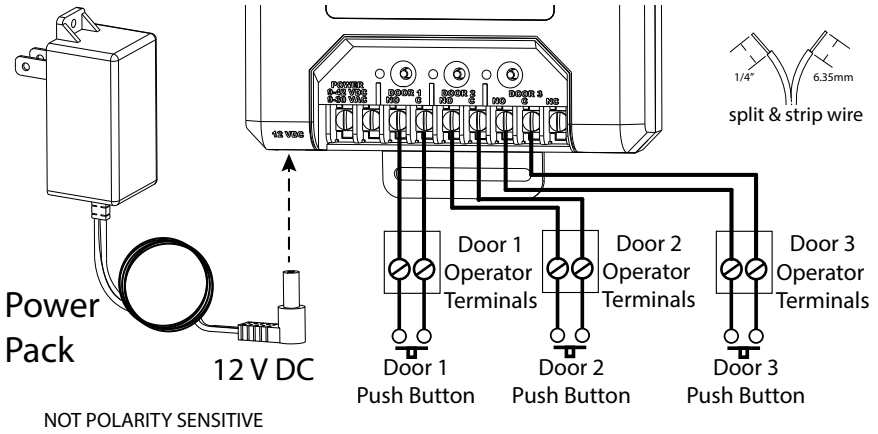
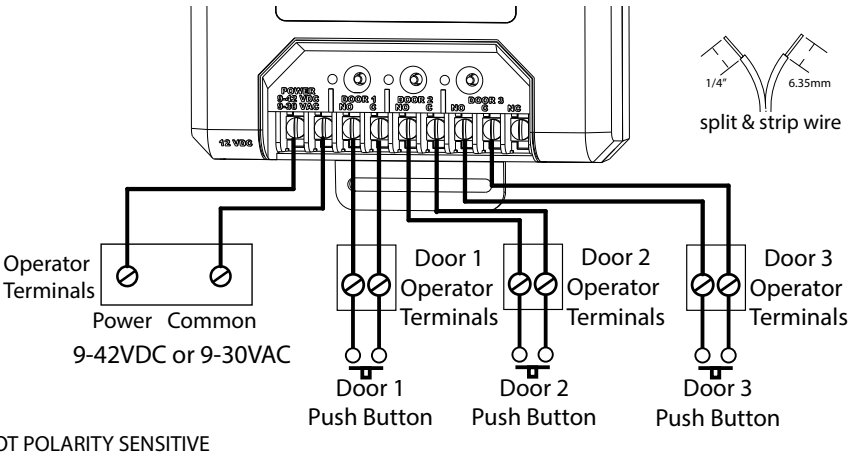


FIG. 2. Garage door or gate operator powered from operator.



WIRING

FIG. 3. - Three-Wire commercial door or gate operator powered from operator.

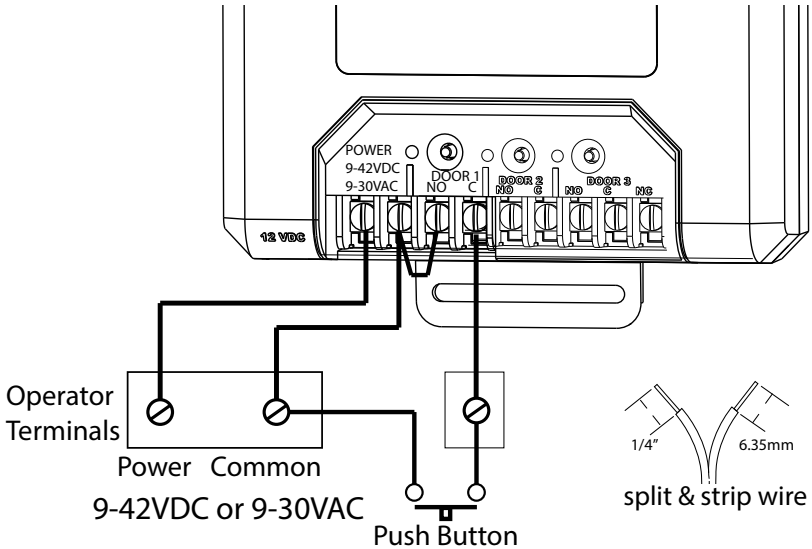
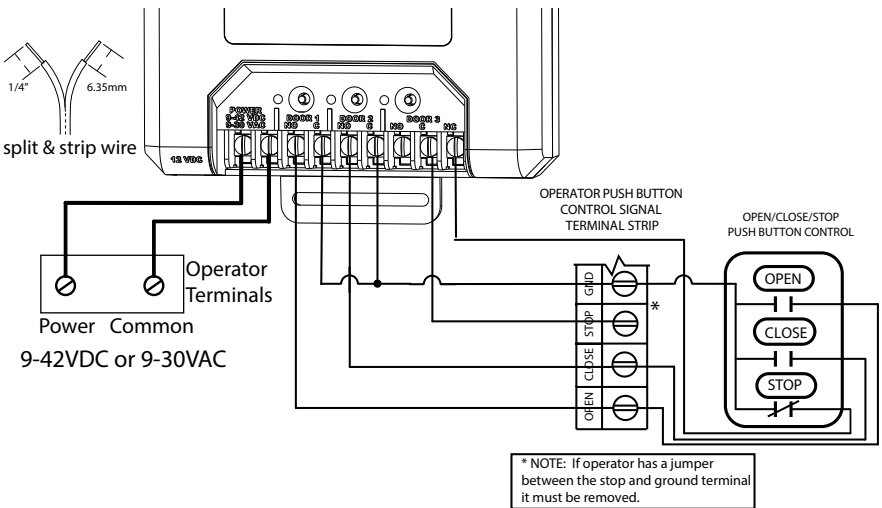


FIG. 4. Garage door operator powered from operator for Open/Close/Stop operation.



PROGRAMMING RECEIVER

⚠ WARNING

During programming, the door opener could begin to run. Stay away from moving door and its parts. To prevent door from moving, close door using the wall button and disconnect it from opener by pulling Emergency Release Cord (See owners manual).

⚠ AVERTISSEMENT

Durant la programmation, l'ouvre-porte pourrait commencer à fonctionner. Restez éloigné de la porte en mouvement et de ses pièces. Pour empêcher la porte de se déplacer, fermez la porte à l'aide du bouton mural et débranchez-la de l'appareil en tirant sur la corde de déverrouillage de secours (Référez-vous au guide du propriétaire).

NOTE: *Programming must be completed within 30 seconds of pressing programming button or receiver will turn off remote programming mode. Press button again to enable programming mode and resume programming remote.*

NOTE: *If receiver does not perform properly, check connections between power source and receiver and connections between receiver and operator*

Programming CodeDodger® Remotes (Three Door Mode):

Note: Open/Close/Stop remotes cannot be used in this mode.

Three Door Mode is the default factory setting. If an open/close/stop remote has been previously programmed to the receiver use the CLEAR ALL REMOTES instructions section below to reset the receiver into Three Door Mode.

1. Press and release the door button on the receiver for the door you desire to use the remote with. The door LED will begin flashing.
2. Press and release the remote button. The door LED will change to solid.
3. Press the remote button a second time. The door LED will turn off.
4. The next remote button press will activate the receiver.

Programming CodeDodger® Open/Close/Stop Remotes (Single Door Open/Close/Stop Mode)

Note: Single button and fixed code remotes cannot be used in this mode.

Note that the first open/close/stop remote programmed to the receiver will change the mode from Three Door to Single Door Open/Close/Stop mode. If remotes have previously been programmed to the receiver in Three Door Mode, clear the receiver memory using the CLEAR ALL REMOTES instructions section.

1. Press and release any door button on the receiver. The door LED will begin flashing.
2. Press and release any button on the open/close/stop remote. The door LED will change to solid.
3. Press the same remote button a second time. The door LED will turn off.
4. The next remote button press will activate the receiver. All three buttons on the remote are now programmed.

PROGRAMMING RECEIVER

Set Frequency Mode (Three Door Mode Only)

CodeDodger® dual frequency 315/390MHz remotes are less susceptible to interference when the receiver is operated in 315/390MHz mode. It is recommended to leave the receiver in 315/390MHz mode when using CodeDodger remotes unless also utilizing fixed code remotes that operate at 360, 380, or 412MHz. If the frequency mode is set to 360/390, 380/390, or 390/412MHz, CodeDodger 315/390MHz remotes will only work using 390MHz.

Set Frequency Mode to 315/390MHz (Default Frequency Setting)

Press and hold all three door buttons simultaneously. All three LEDs will turn on. Continue to hold. The LEDs will turn off for two seconds and then back on at five seconds. Let go of the buttons at 10 seconds when the LEDs turn off. All three LEDs will flash three times. The frequency on all three doors is now set to 315/390MHz.

Set Frequency to 360/390MHz

Press and hold Door 1 and Door 2 buttons simultaneously. Door 1 and Door 2 LEDs will turn on. Continue to hold. The LEDs will turn off for two seconds and then back on at five seconds. Continue to hold. After 10 seconds Door 1 and Door 2 LEDs will flash three times. The frequency on all three doors is now set to 360/390MHz.

Set Frequency to 380/390MHz

Press and hold Door 2 and Door 3 buttons simultaneously. Door 2 and Door 3 LEDs will turn on. Continue to hold. The LEDs will turn off for two seconds and then back on at five seconds. Continue to hold. After 10 seconds Door 2 and Door 3 LEDs will flash three times. The frequency on all three doors is now set to 380/390MHz.

Set Frequency to 390/412MHz

Press and hold Door 1 and Door 3 buttons simultaneously. Door 1 and Door 3 LEDs will turn on. Continue to hold. The LEDs will turn off for two seconds and then back on at five seconds. Continue to hold. After 10 seconds Door 1 and Door 3 LEDs will flash three times. The frequency on all three doors is now set to 390/412MHz.

PROGRAMMING RECEIVER

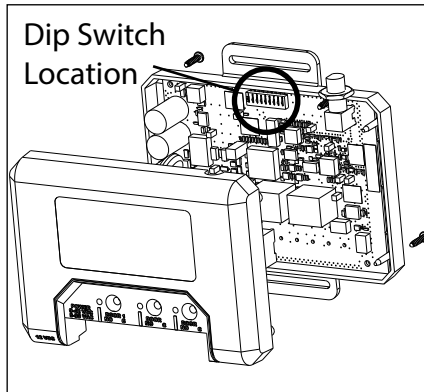
Setting Fixed Code (Three Door Mode Only)

Each of the three door outputs can have a unique fixed code. CodeDodger remotes can also be used on the same door as fixed code remote. This feature can be beneficial for transitioning away from fixed code to CodeDodger® while old fixed code remotes are exchanged for CodeDodger®.

Setting Fixed Code on Door X (X = 1, 2, or 3)

NOTE: Fixed code switch settings using all 9 switches in the (-), (o), or (+) positions are invalid codes and cannot be programmed.

1. Remove power from the receiver.
2. Remove two screws on the back of the unit.
3. Remove the front cover.
4. Set dip switches to desired code.
5. Apply power to receiver.



6. Press and hold all three door buttons simultaneously. All three LEDs will turn on solid for five seconds.
7. When the LEDs turn off, release the buttons and all three LEDs begin flashing. Press and hold the door button for the door you want to set the fixed code on. The LED will flash three times and turn off. Release the button. Remote is now programmed for selected door.
8. If desired to set fixed codes on other doors, repeat steps 4-7.
9. Remove power from the receiver.
10. Put the front cover back onto the receiver.
11. Screw the cover on from the back with the two screws.
12. Mount the receiver
13. Apply power to the receiver.

PROGRAMMING RECEIVER

Clear CodeDodger® and Fixed Remotes on a Single Door (Three Door Mode Only)

1. Press and hold the door button for the door you wish to clear remotes from. The LED will turn on solid.
2. After approximately 20 seconds the LED will flash three times and turn off. Release the door button. All CodeDodger and fixed code remotes have been cleared from the door.

Clear All Remotes (Three Door Mode or Single Door Open/Close/Stop Mode)

1. Press and hold all three door buttons simultaneously. After 20 seconds all three LEDs will flash three times and turn off. Release the buttons. All CodeDodger® and fixed code remotes have been cleared from memory for all doors. Note that during the 20 second button press all three LEDs will turn off briefly twice then back on. The frequency mode will also be reset to 315/390MHz.

THIS PAGE INTENTIONALLY BLANK

THIS PAGE INTENTIONALLY BLANK

The Genuine. The Original.



OVERHEAD DOOR CORPORATION
OPERATOR DIVISION
1 DOOR DRIVE MT HOPE, OH 44660
800-275-6187
www.overheaddoor.com